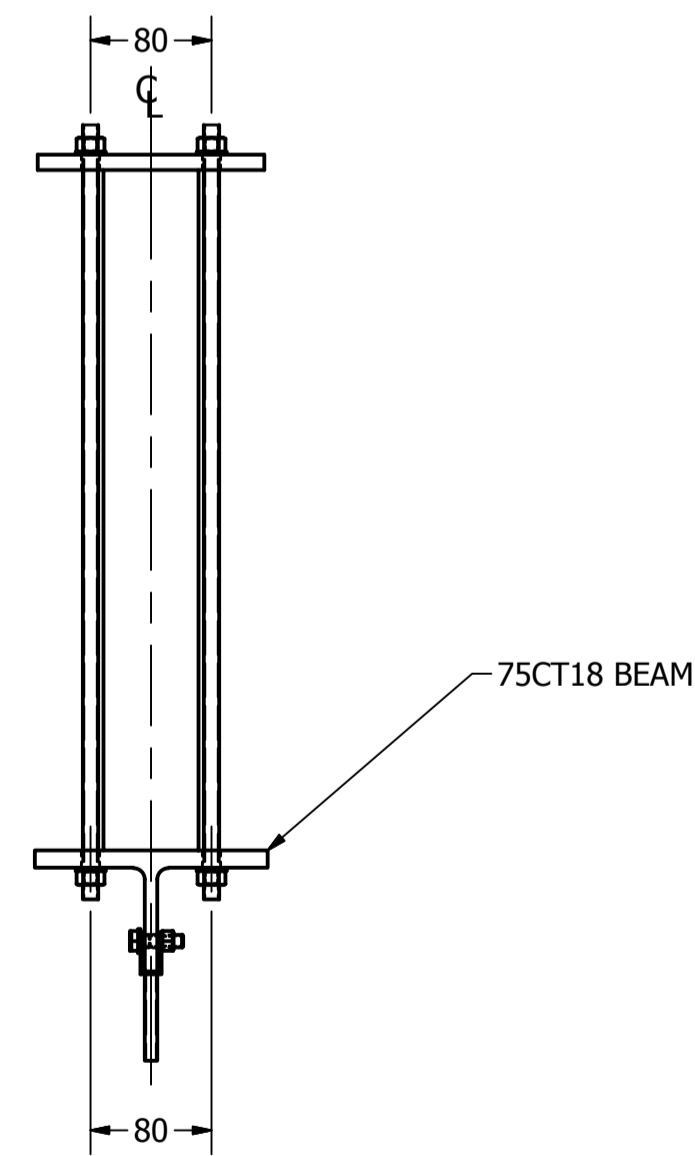
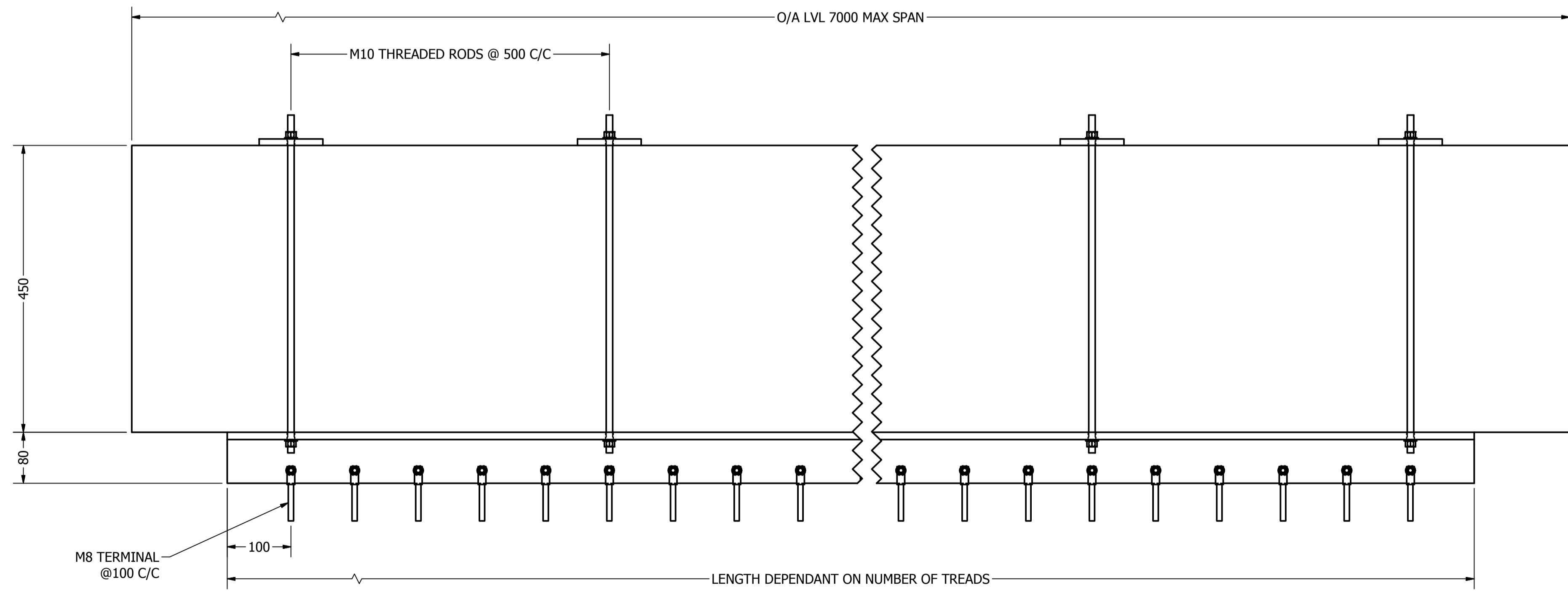


PLAN



FRONT ELEVATION



SIDE ELEVATION

PARTS LIST			
ITEM	QTY	PART NUMBER	DESCRIPTION
1	1	450x63 LVL BEAM	LVL BEAM
2	1	75CT18	CT BEAM
3	10	150x10FLx100	FLAT BAR
4	20	M10 THREADED ROD	THREADED ROD
5	48	ANSI B18.2.4.2M - M10x1.5	METRIC NUT
6	48	ISO 7089 - 10 - 140 HV	PLAIN WASHER
7	48	M8 THREADED CLEVIS	WIRE SUPPORT
8	48	ISO 7089 - 8 - 140 HV	PLAIN WASHER
9	48	ISO 4015 - M8 x 30	HEXAGON BOLTS
10	48	ISO 4034 - M8	HEXAGON NUTS

REVISION HISTORY				
ZONE	REV	DESCRIPTION	DATE	APPROVED
	0	ISSUED FOR CONSTRUCTION	26/03/2015	R.PAWLOWSKI

FINESSE WA PTY LTD ADDRESS: 59c Burwood Road Balcatta WA 6021 EMAIL: dw@finessewa.com.au web: www.byfinesse.com.au DESIGNED BY: D.WISNIEWSKI	BRP CONSTRUCTIONS PL CONSULTING STRUCTURAL & CIVIL ENGINEERS PO BOX 1795 ASHFIELD NSW 2131 MOBILE: 0 410 615 071 EMAIL: richard@brpconstructions.com.au web: www.brpconstructions.com.au DESIGNED BY: RICHARD PAWLOWSKI CHARTERED STRUCTURAL & CIVIL ENGINEER MIEAust CPEng, NPER: 997488, RPEQ: 13567	DRAWN D.WISNIEWSKI 26/03/2015	TITLE FLOATING STAIR SUPPORT SUPPORT DETAILS
		CHECKED R.PAWLOWSKI QA 26/03/2015	
JOB No. 196/S/2015		SCALE: 1:5	DWG NO stair_support REV 0
		SHEET 1 OF 1	